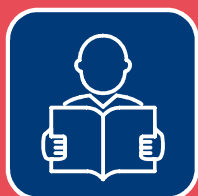
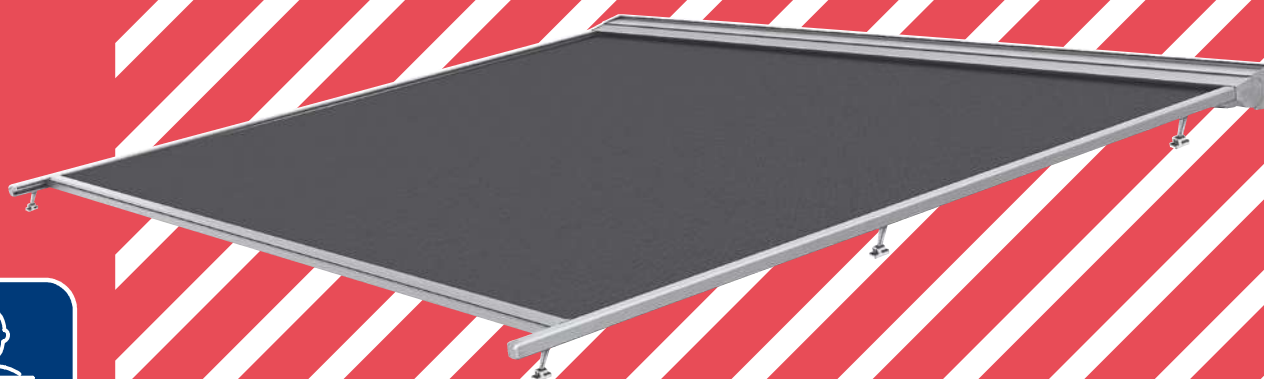
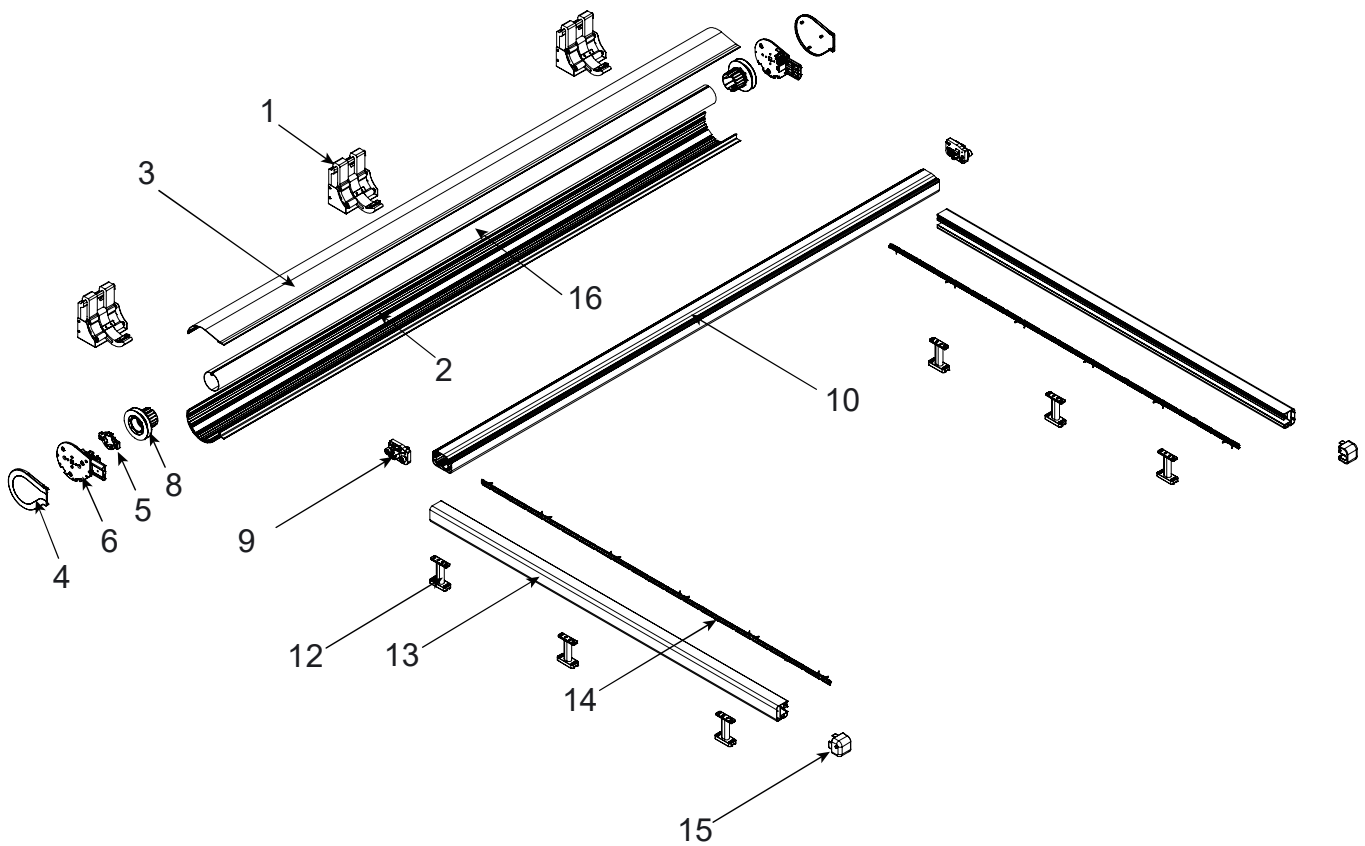


Customer instruction

Matera Veranda



1. Split view - parts list



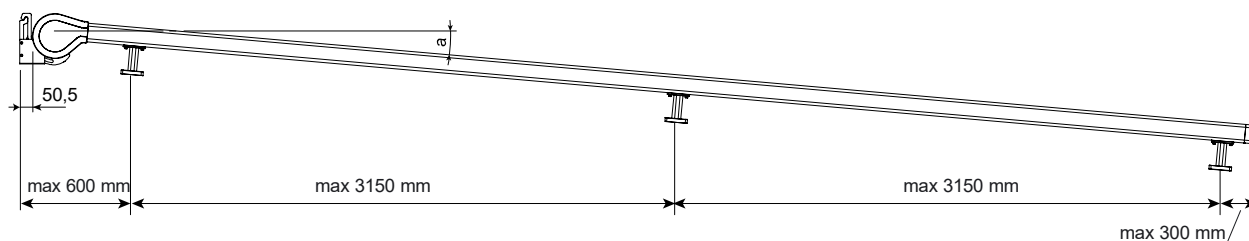
Description:

- | | | | |
|----|------------------------|----|-----------------|
| 1 | Wall mounting (option) | 11 | Front bar cover |
| 2 | Base box | 12 | Leg |
| 3 | Cover rail | 13 | Guide rail |
| 4 | Side cover | 14 | Inlay |
| 5 | Motor mounting | 15 | Guide rail plug |
| 6 | Mounting plate | 16 | Winding tube |
| 8 | Winding wheel | | |
| 9 | Front rail base | | |
| 10 | Front bar | | |

2. Mounting elements to the wall.

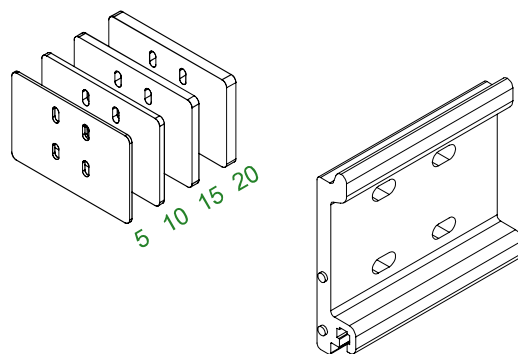
IMPORTANT SAFETY NOTES: To properly install the Matera, follow the installation instructions step by step, do not perform the operation alone, follow the safety warnings the installation components must be kept out of reach of children or anyone not involved in the installation.

CAUTION! Assembly and installation should be performed by trained personnel. Below is a sample drawing of the permitted product with the appropriate dimensions. The permitted dimensions of the product (α , Z, B, H) must be checked during installation.



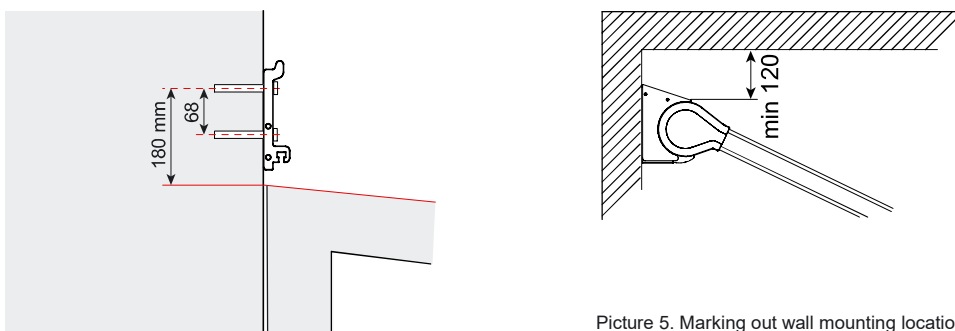
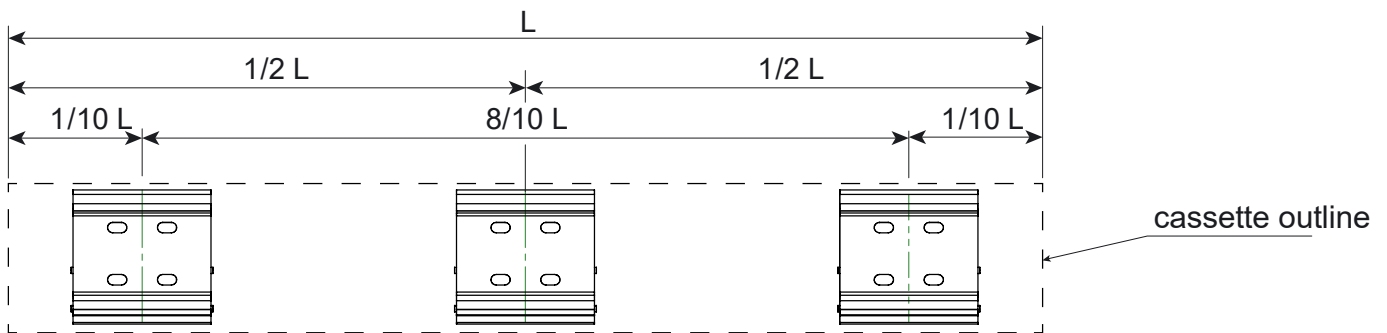
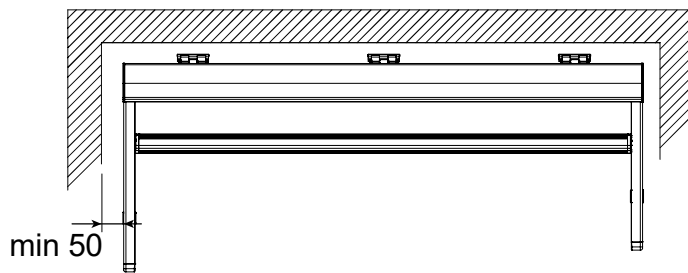
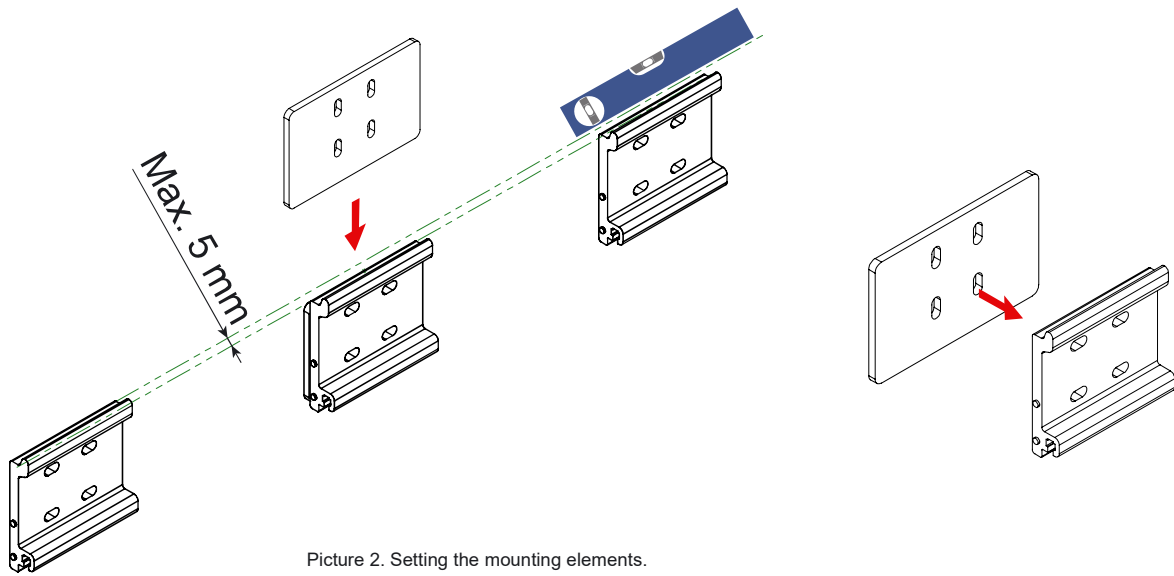
One option is to x the product to the wall, in case of wall irregularity > mm, spacer plates of different sizes can be used (Pic. .). Install the box mounting elements to the wall so that the elements are on the same level and the holes are in axis (Pic. .). The distance between the mounting elements depends on the width of the product (Pic. .).

CAUTION! Risk of the awning falling, the order of assembly must be observed! Evaluate the conditions on location and use the appropriate xings. Don't do the work by yourself, remember to use a level during installation.



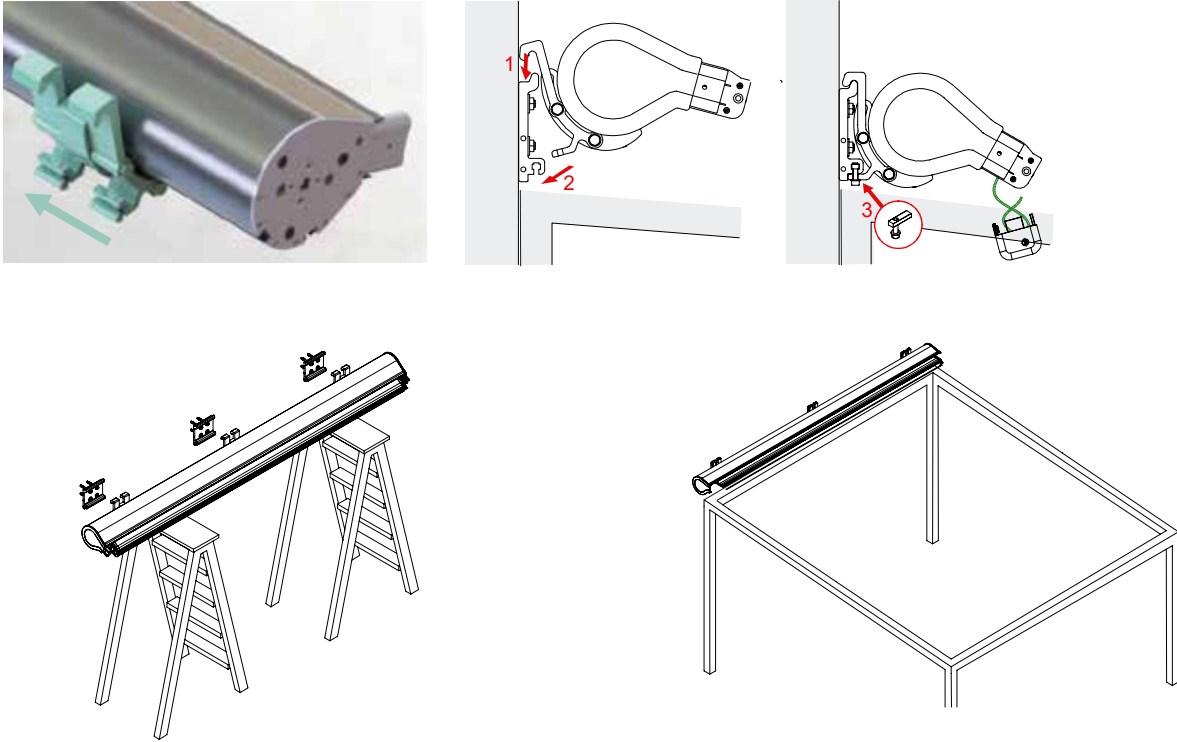
Picture 1. Mounting elements - spacing plates, wall mounting.

Setting the mounting elements

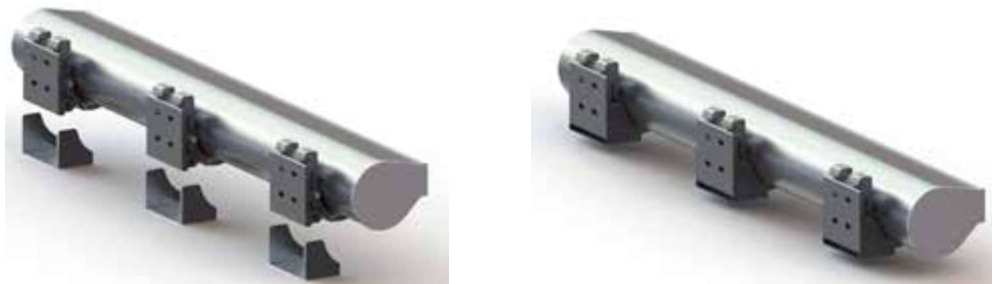


3. Placing the box on the wall mounting

Drop the box and hook it to the wall plate (1), then slide in the lower part of the mount (2) finally slide in the mount locks and tighten the screw (3) (Pic. 6.). Follow the steps in min. 2 people or with the help of lift. After installing the box, attach the mounting cover (Pic. 7).



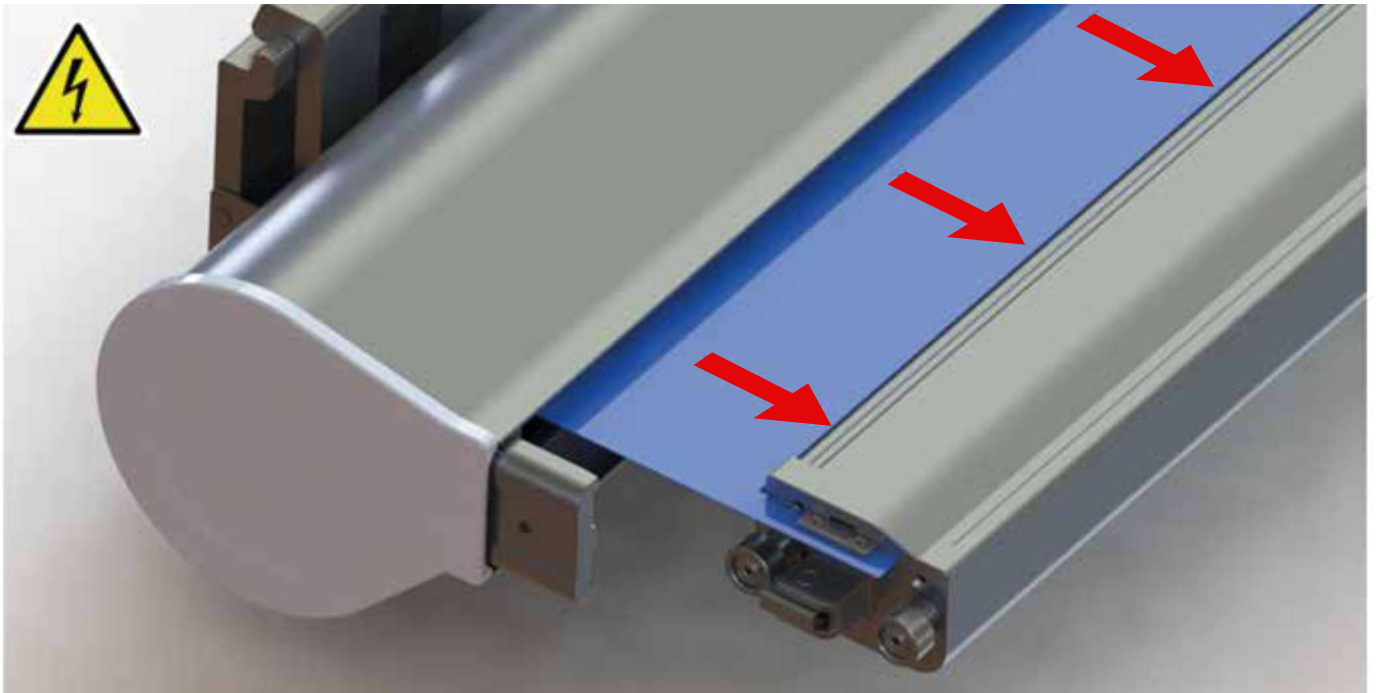
Picture 6. Diagram of the box placement on the mount.



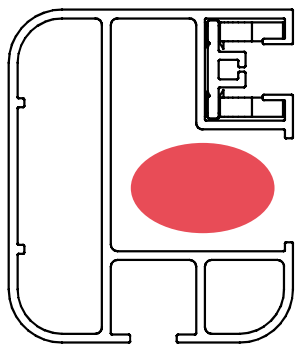
Picture 7. Installing the mounting cover.

4. Slide in the guide rails and position the legs

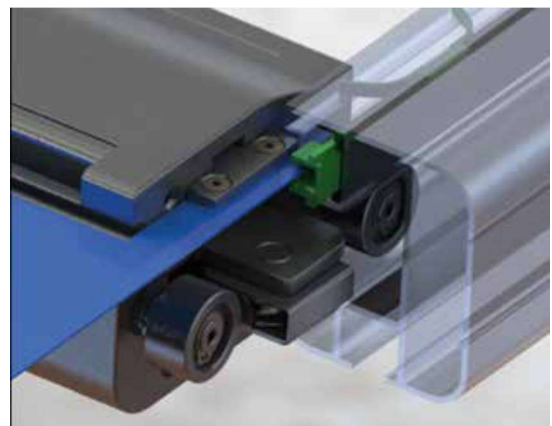
Connect the power supply and by using the remote control, move the fabric out slightly (Pic. 8.). Next secure end slat to prevent its falling. Then insert and screw the legs slightly into the guide rail so that they can be operated. Slide the guides into the side with a minimum of 2 people, make sure there is a line in the middle of the guide rail (Pic 9), guide the zip from the fabric into the inlay while sliding. (Pic. 10). After mounting both guide rails (Pic. 11), position legs on the construction and mark the places where the hole will be drilled (Pic. 12). Check the diagonals before making the holes and correct them if required (Pic. 13).



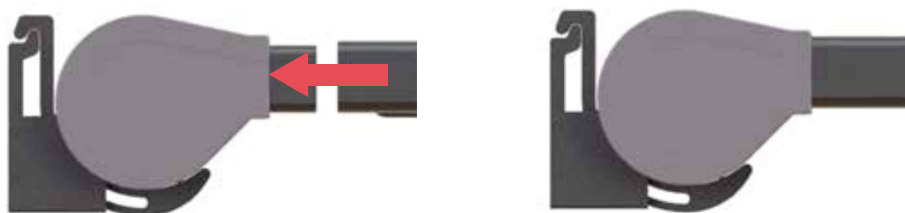
Picture 8. Connecting the power supply and moving the end slat.



Picture 9. Wire guided in guide rail.



Picture 10. Leading fabric through the inlay.

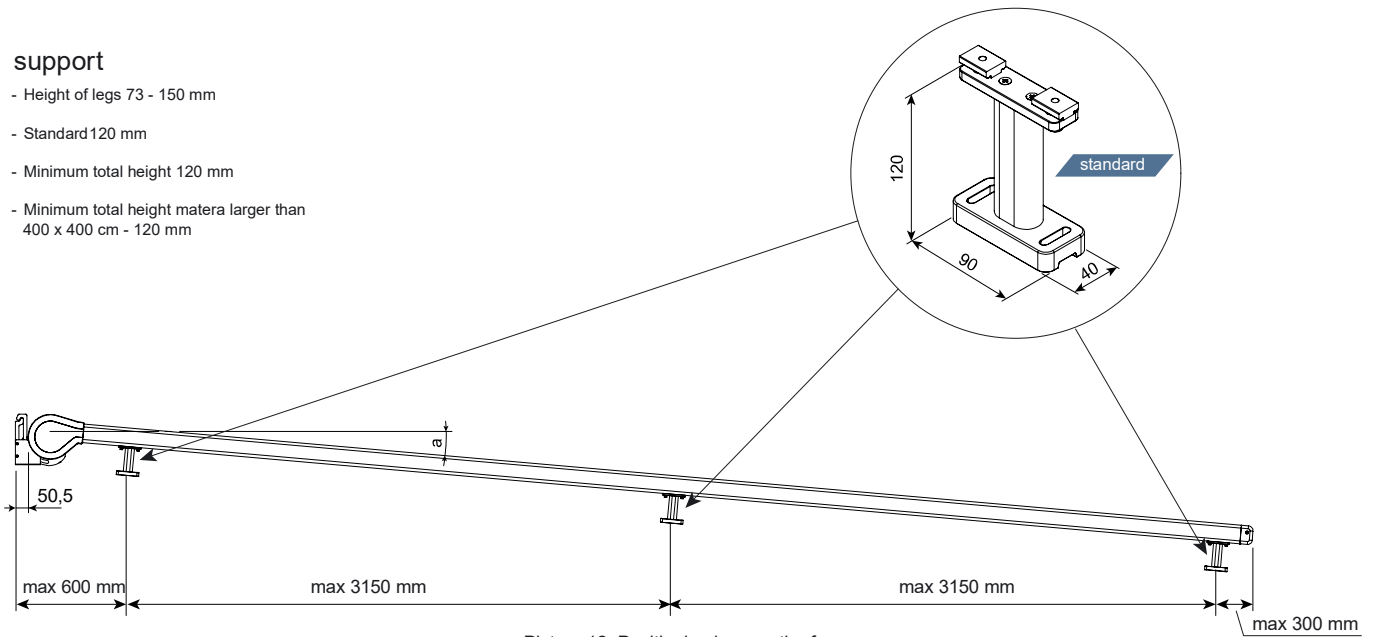


Picture 11. Sliding guide rails into the side.

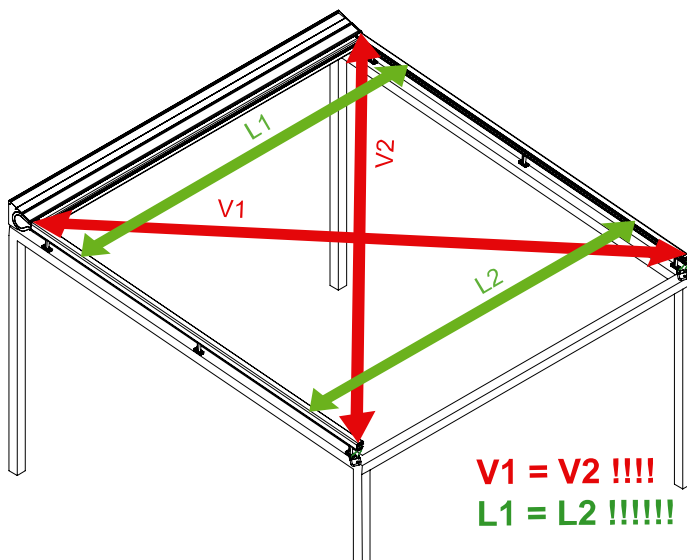
5. Installation of support beam, connection of LED strip and electrically controlled LED

support

- Height of legs 73 - 150 mm
- Standard 120 mm
- Minimum total height 120 mm
- Minimum total height larger than 400 x 400 cm - 120 mm



Picture 12. Positioning legs on the frame.



Picture 14. Mounting guide rail plug.

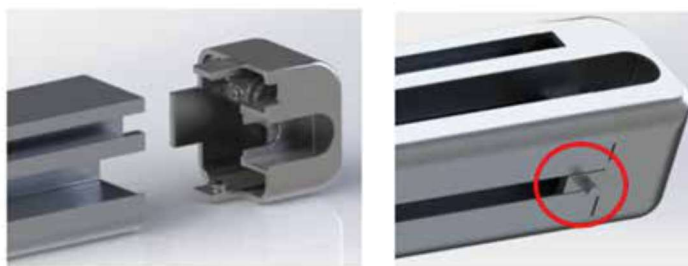
Regulation must be done very carefully. Difference between dimensions cannot exceed 5 mm!

It is important to check the dimension between guide rails by the box and at the plugs of the side guide rail - dimensions have to be identical.

Not following the rules during installation may cause damage to the product and invalidate the warranty. This may even cause accidents!

6. Mounting the plug.

Mount the guide rail plug (Pic. 14.), make sure that the cables are not tangled and run in a straight line. Screw in set screw M6x20 DIN 914.



Picture 14. Mounting the guide rail plug.

7. After mounting the product remove the red spring tension straps

1. Remove front slat cover with sticker!



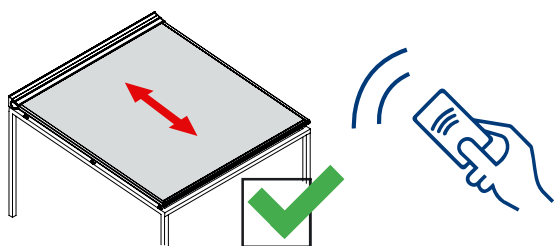
**Caution spring tension!
Risk of injury!**

2. Use scissors to cut the strips gently.
3. After cut the strips remove it from front slat
4. Reassemble and screw together again the front slat with cover.
5. Remove the sticker from front slat cover.

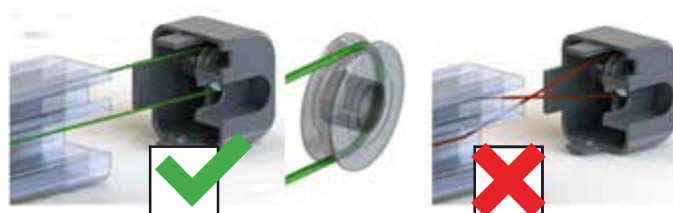


8. Make a test run of a product.

After correct installation, perform a test run (Pic. 15.), check the fabric tension, check the lines in the guide rail for tension and correct operation (if they did not fall off the guide wheels) (Pic. 16.), Check if the fabric zips are guided in the inlay.



Picture 15. Test run of the product.

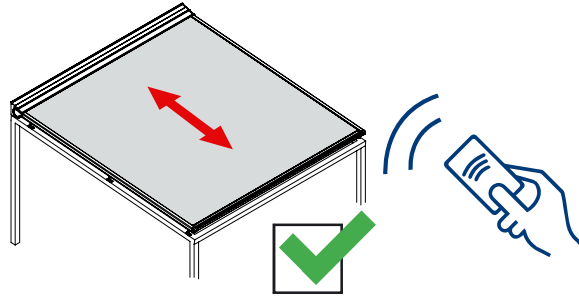


Picture 16. Check the line running on the wheels.

Product check-up

Make sure that product is serviced at least once a year.

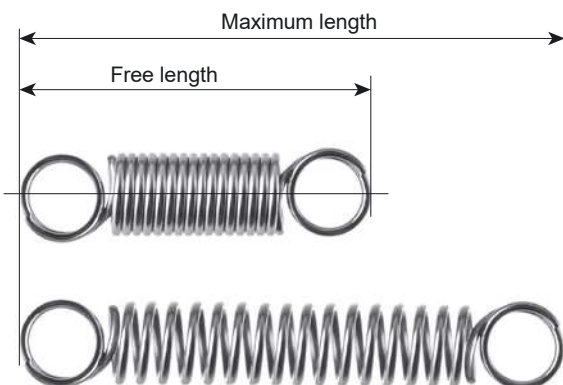
Make a full run-through of the product, check that the product pulls out and hides properly, check tension of the fabric during the run.



Remove the front slat up and check that springs and components are in the right place.



Check if the springs have the correct length.



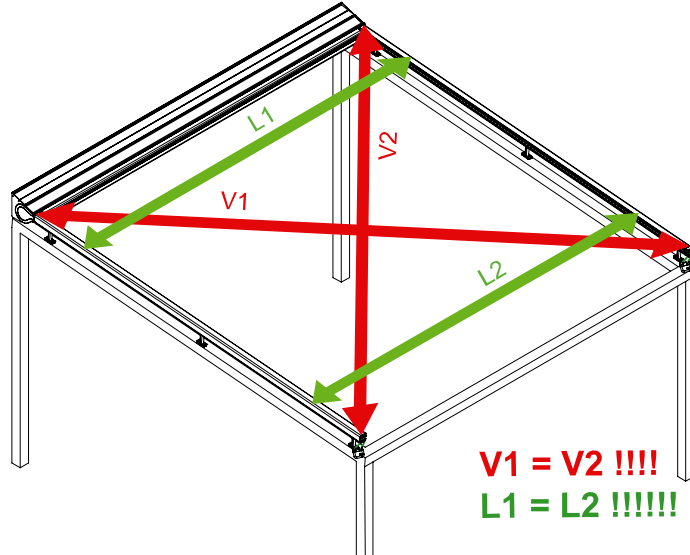
Kind of spring	Free spring length [cm]	Maximum length [cm]
Long	50	80
Short	35	50

Check if connecting elements are not loose.

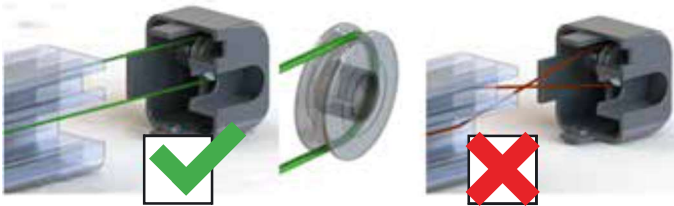


Product check-up

Check the diagonals and the lengths between the guide rails at the end and start points.



Check guiding of the line on all wheels.



Check if fabric zip is guided in Inlay

