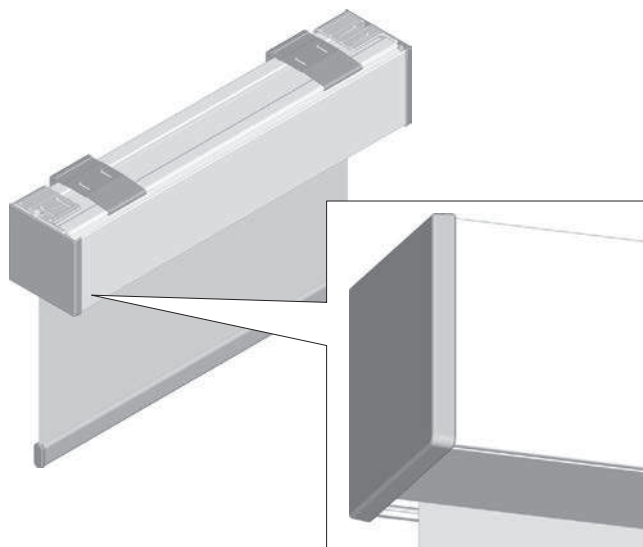


Roller Blind 5-276

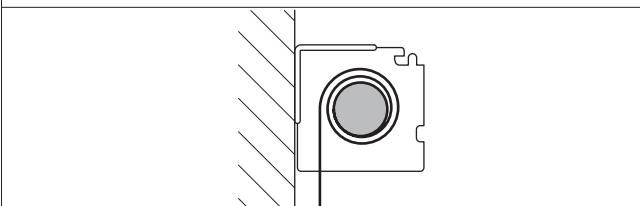
MOTOR OPERATED ROLLER BLIND BACK ROLLING WITH POCKET L

Description

- Die cast brackets with plastic covers in white, grey or black
- U-shaped extruded pocket with accessible closed bottom
 - In natural anodised, or powder coated black or white finish
- Pre-assembled blind installed on hidden aluminium clip-in brackets
- Integrated leveling function to limit skewing
 - Optional no leveler
- Range of 230V motors depending on requirements
 - Force up to 37.5 kg
 - Noise standard or quiet
 - Wired control (recommended) or remote
- Spring loaded end plug with locking ring for safe use and easy maintenance
- Aluminium extruded tubes
- Aluminium extruded bottomrail in white, natural anodized or black
 - Optional oval shaped bottom rail
- Back rolling
- UV stable parts
- High quality fabric according to technical specifications

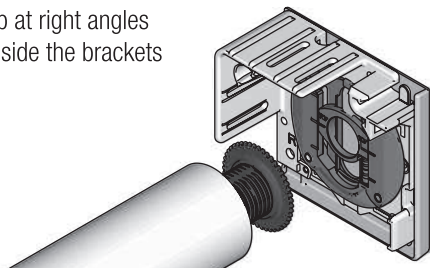


BACK ROLLING

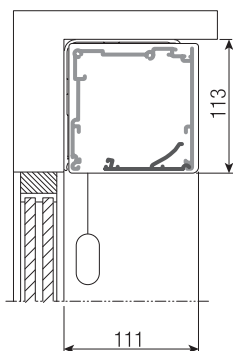


INTEGRATED LEVELER AND LOCKING RING

Ensures rolling up at right angles
Locks the tube inside the brackets



SIDE VIEW



LIGHT GAPS (mm)

Drive side		width		height
Motor M40 and LS40	20	a		
Motor M50	23	a		
Motor LT50	26	a		
Bearing side		22	b	

SIZE LIMITATIONS*

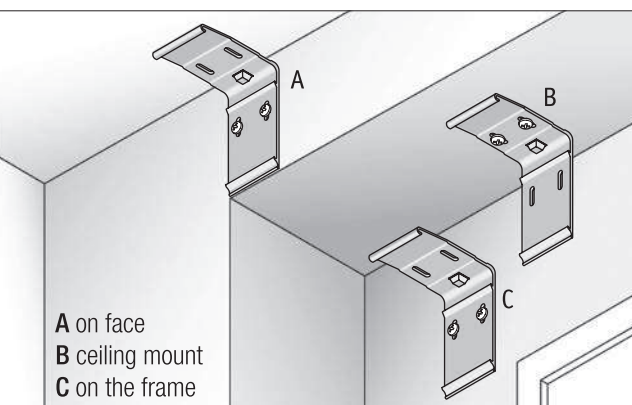
Min. width	575 - 675 mm (depending on motor size)		
Max. width	4000 mm		
Min. height	500 mm		
Max. height	6000 mm	profile guiding 5000 mm	
Max. surface	single blind; 16 m ² coupled blinds; 48 m ²		

MAXIMUM LOAD (KG)*

Type	U	Tube 50	Tube 62
Motor M40 and LS40	230 V	33.8	27.2
Motor M50 and LT50	230 V	37.5	30.3

Maximum load = bottom rail + (optional) additional weight + fabric

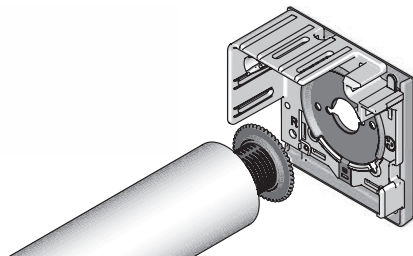
INSTALLATION POSITION



OPTIONS Roller Blind 5-276

The technical terms on this page are clarified in the glossary in the back.

LEVELER



No leveler

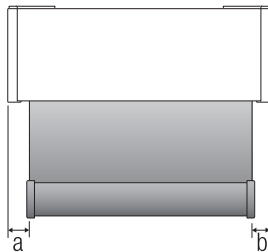
LIGHT GAPS (mm)

Drive side

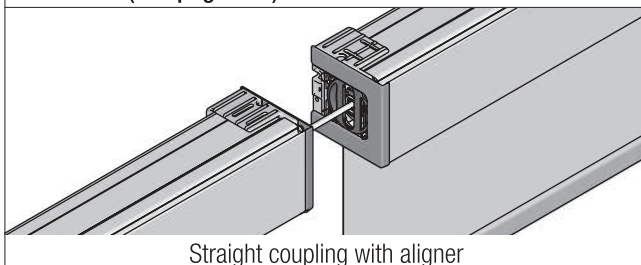
Motor M40 and LS40	20	a
Motor M50	23	a
Motor LT50	26	a

Bearing side

Integrated leveler (std)	22	b
No leveler	18	b



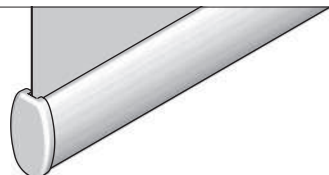
COUPLING (see page 174)



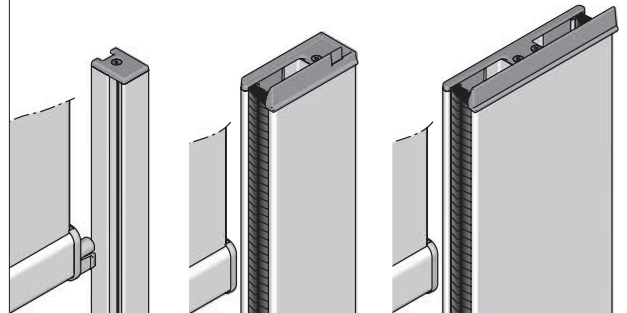
Straight coupling with aligner

OVAL BOTTOM RAIL

Not applicable with side guiding profiles



SIDE GUIDING; PROFILES (Max. height 5000 mm)



SCG 20

SCG 64

SCG 64 coupled

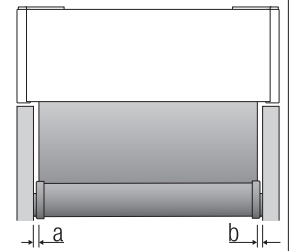
LIGHT GAPS (mm); SCG 20

Drive side

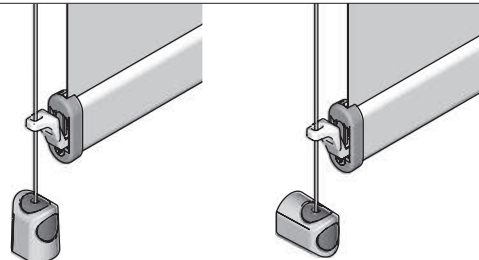
Motor M40 and LS40	5	a
Motor M50	6	a
Motor LT50	9	a

Bearing side

Integrated leveler (std)	5	b
No leveler	5	b



SIDE GUIDING; SPRING TENSIONED CABLE



In recess

On face

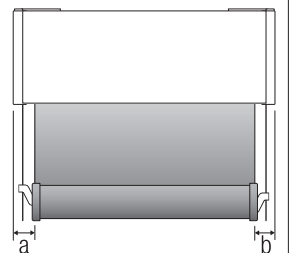
LIGHT GAPS (mm)

Drive side

Motor M40 and LS40	22	a
Motor M50	23	a
Motor LT50	26	a

Bearing side

Integrated leveler (std)	22	b
No leveler	22	b



*Size limitations and maximum load depend on operation type and are further calculated on the basis of a fabric with; weight = 345 gr/m², thickness = 0.44 mm. Maximum deflection of tube 50 = 5 mm and tube 62 = 6 mm.