

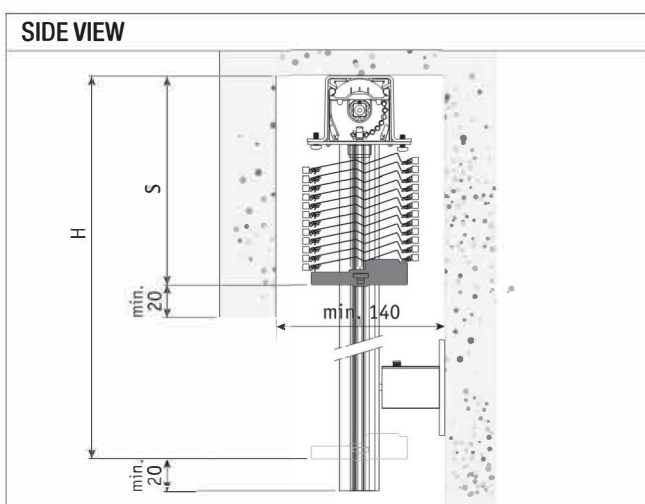
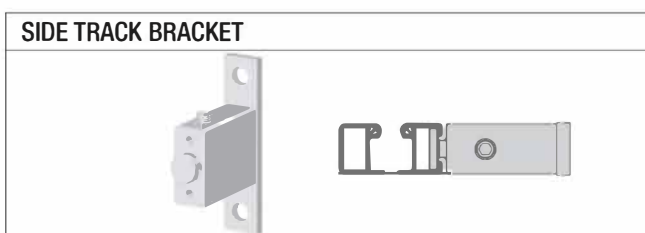
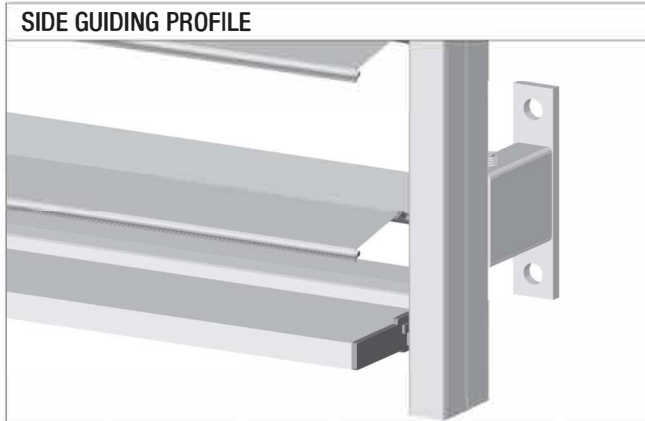
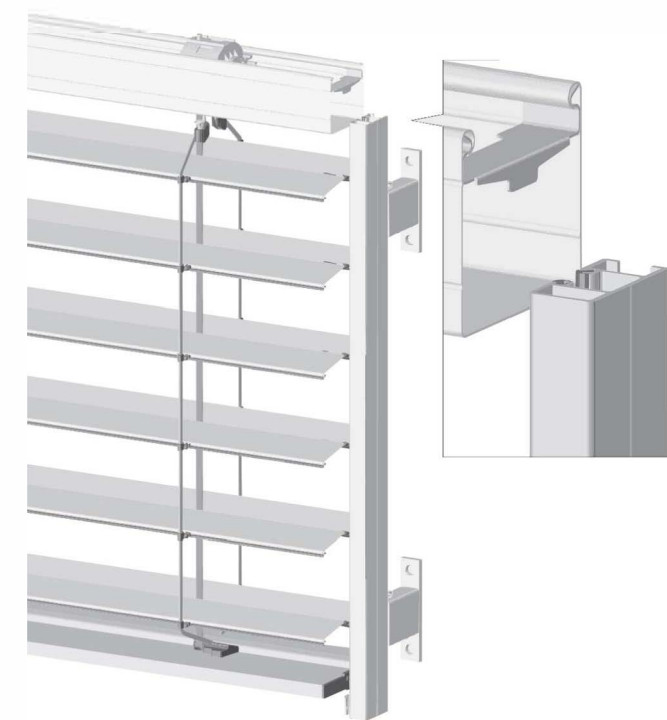
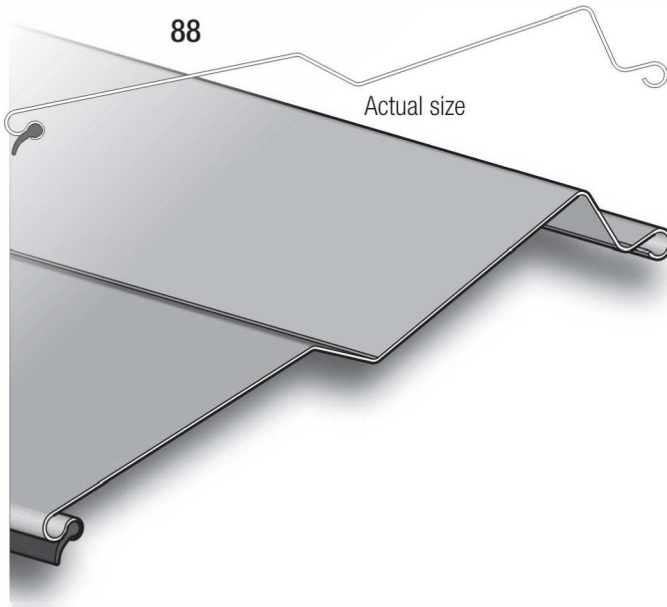
# EL88ASK

## MOTOR OPERATED EXTERNAL VENETIAN BLIND 88 MM SLATS WITH CLAMP-ON SIDE GUIDING CHANNELS

EL88ASK: Z-shaped beaded 88 mm slats with seal

### Description

- Installation on or in between side tracks
- Roll formed zinc-plated steel U-shaped head rail 57 x 51 mm
- Thermally protected 230 V motor, dust and splash waterproof according to IP54
- Positive tilting mechanism to prevent slat movement by wind
- Lowering with slats closed, raising with slats open
- Roll formed coil coated 88 mm slats of partly recycled aluminium
- Beaded slat with inserted black seal to reduce contact noise and light leakage
- Natural anodised or powder coated extruded aluminium bottom rail 90 x 24 mm, alternatively heavy-duty 90 x 45 mm for blinds over 1,800 mm width
- Extruded side guiding channels 18 x 37 mm with groove in similar finish with black insert for noise reduction
- Black bottom rail end caps and lift tape
- Grey ball tape for good stacking of the slats
- UV and weather resistant components of mixed composition
- Wind stable as further determined by size and controls

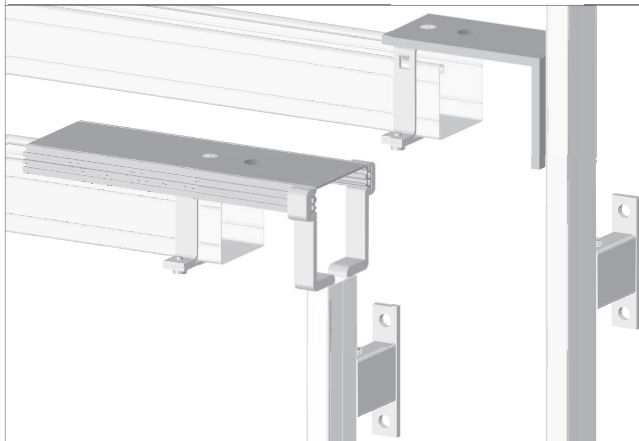


		Width		Height max. (cm)	Surface max. (m <sup>2</sup> )
		min. (cm)	max. (cm)		
Single	EL 88 ASK	56	400	400	12
Group	EL 88 ASK		1000	400	16

STACKING HEIGHT (MM) (intermediate blind heights on page 85)			
Blind height H	Stacking height EL88ASK	Blind height H	Stacking height EL88ASK
1000	170	3000	300
1500	190	3500	335
2000	230	4000	370
2500	265		

# OPTIONS EL88ASK

## FREE HANGING



## 40° TIMER

Standard;  
lowering with closed slats

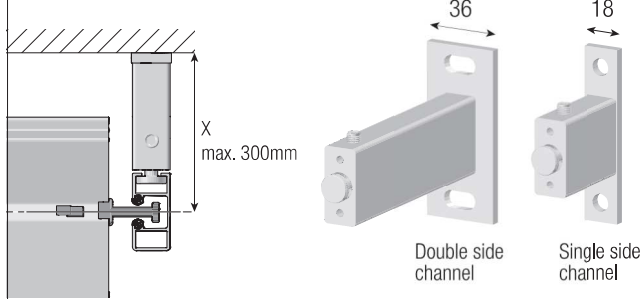


40° Timer;  
lowering with slats 40° open

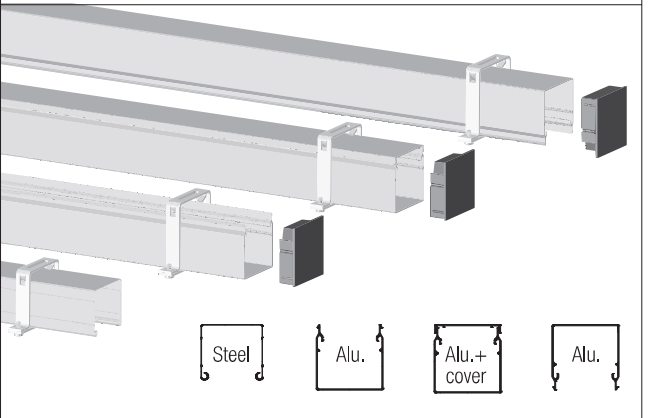


## SIDE TRACK BRACKETS

Sizes according to customer specifications.



## HEAD RAIL



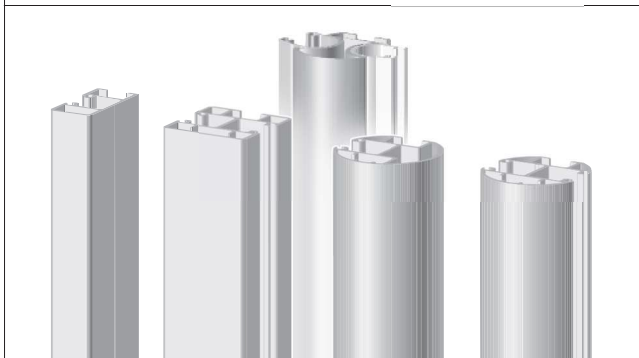
Steel

Alu.

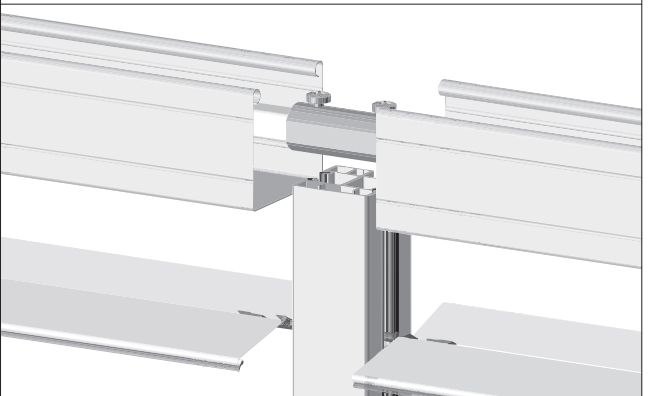
Alu.+  
cover

Alu.

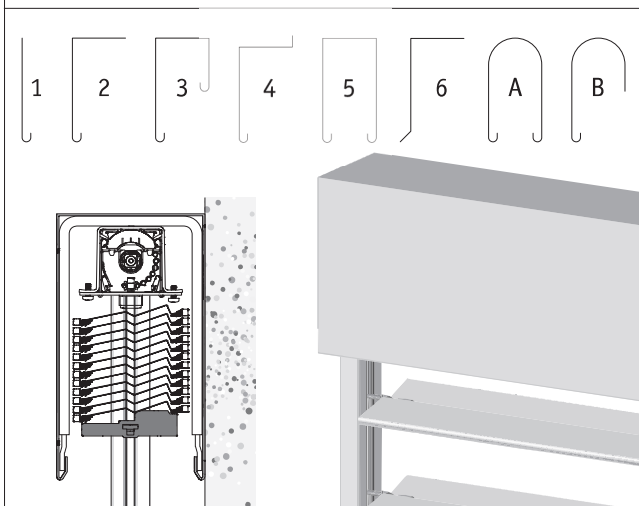
## SIDE TRACKS



## COUPLING



## PELMET



## FURTHER OPTIONS (Additional information on page 81)

- Dual Light Control
- Slow motion motor for more precise slat tilting
- Perforated slats
- For possible motor controls see separately available documentation