

EL80ASS, EL80ASSF

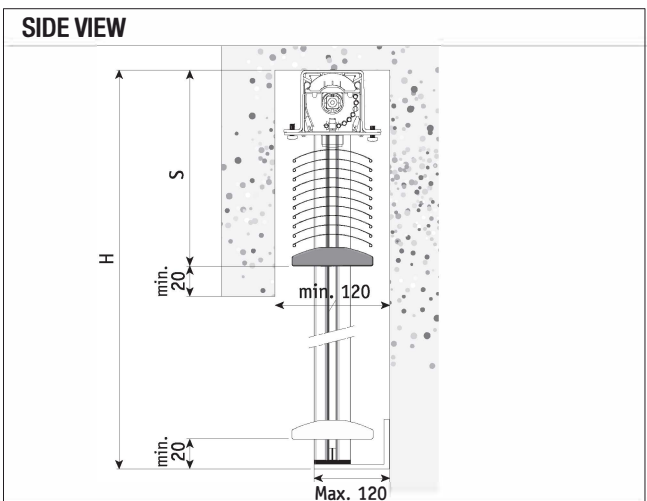
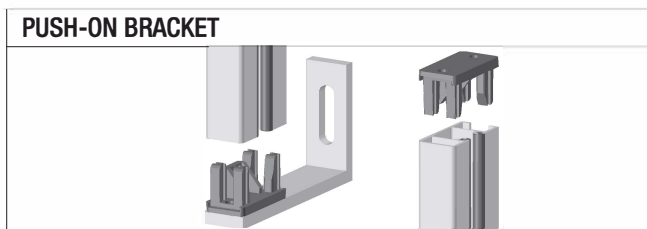
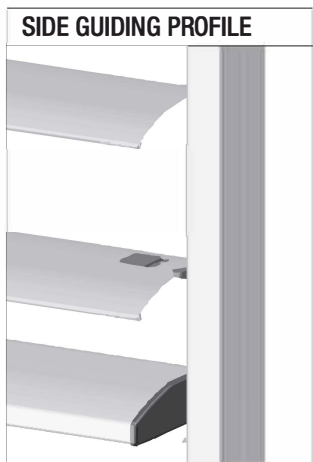
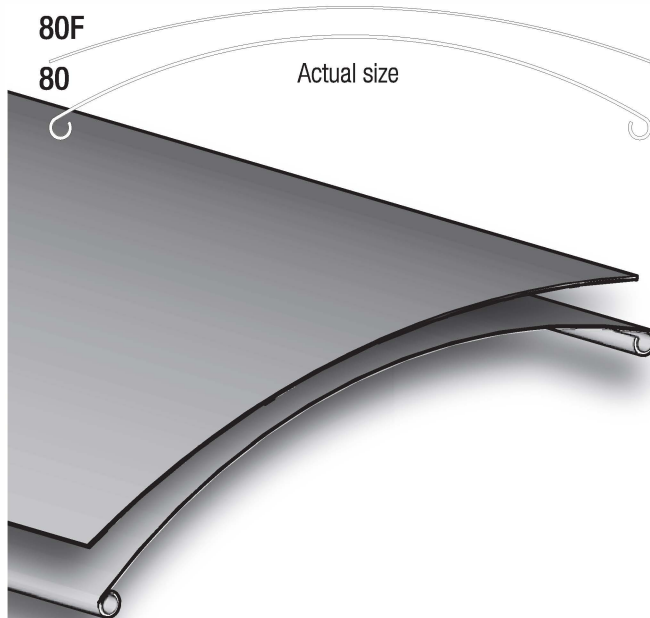
MOTOR OPERATED EXTERNAL VENETIAN BLIND 80 MM SLATS WITH PUSH-ON SIDE GUIDING CHANNELS

EL80ASS : beaded 80 mm slats

EL80ASSF : flexible 80 mm slats

Description

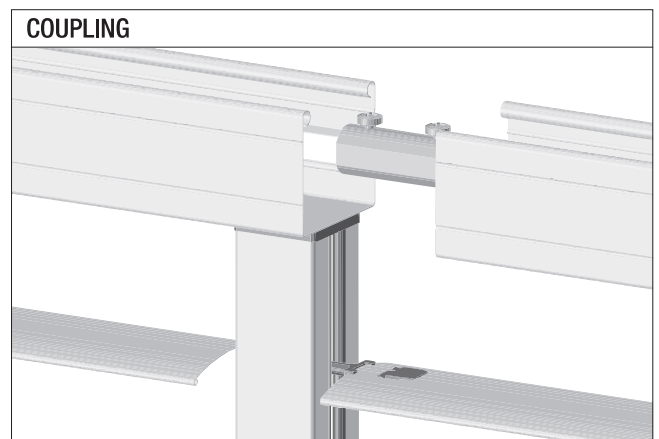
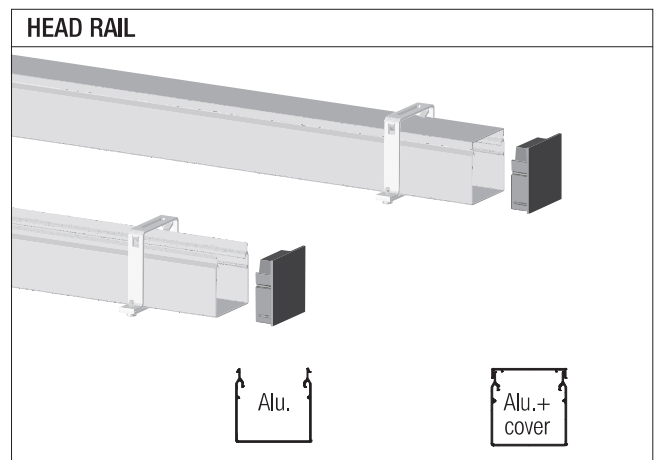
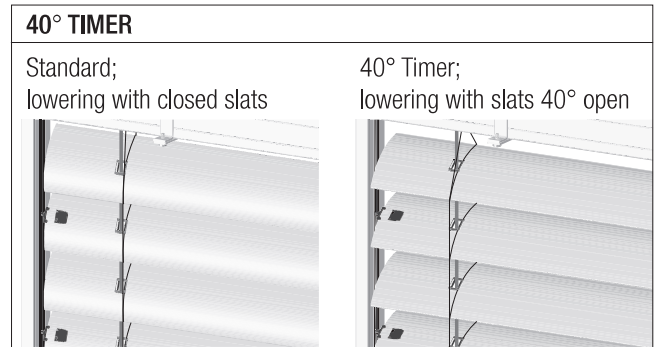
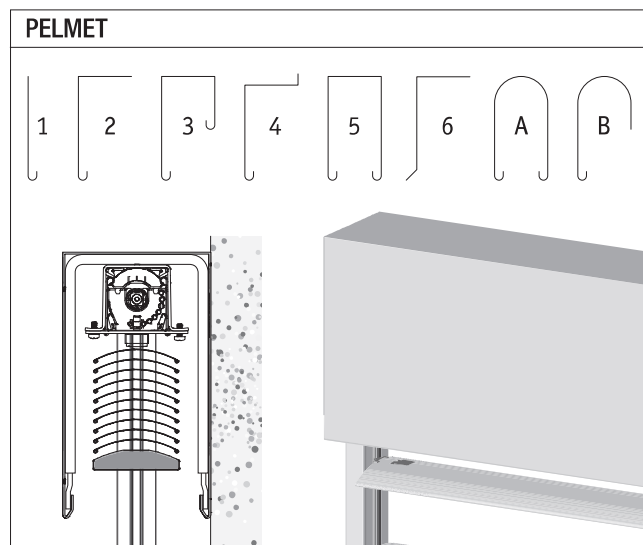
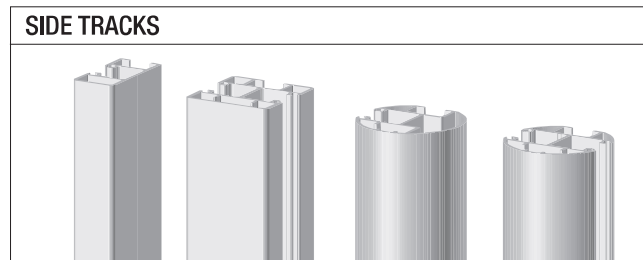
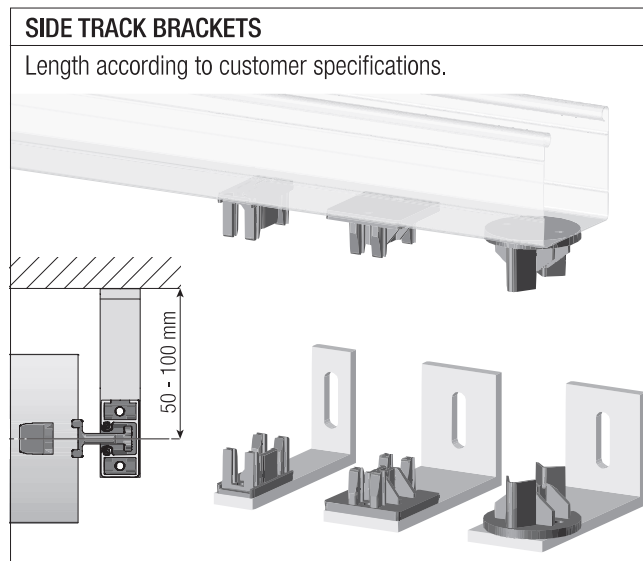
- Roll formed zinc-plated steel U-shaped head rail 57 x 51 mm
- Thermally protected 230 V motor, dust and splash waterproof according to IP54
- Positive tilting mechanism to prevent slat movement by wind
- Lowering with slats closed, raising with slats 45° open
- Roll formed coil coated 80 mm slats of partly recycled aluminium
- Natural anodised or powder coated extruded aluminium bottom rail 80 x 22 mm
- Extruded side guiding channels 18 x 37 mm with groove in similar finish with black insert for noise reduction
- Black bottom rail end caps, lift tape and Aramid reinforced polyester ladder cords
- UV and weather resistant components of mixed composition
- Wind stable as further determined by size and controls



		Width		Height max. (cm)	Surface max. (m ²)
		min. (cm)	max. (cm)		
Single	EL 80 ASS	56	300	250	7
	EL 80 ASSF	56	300	250	7
Group	EL 80 ASS		1000	250	20
	EL 80 ASSF		1000	250	20

STACKING HEIGHT (MM) (intermediate blind heights on page 85)					
Blind height	Stacking height 80ASS	Stacking height 80ASSF	Blind height	Stacking height 80ASS	Stacking height 80ASSF
1000	173	133	2000	234	172
1500	202	155	2500	263	185

OPTIONS EL80ASS, EL80ASSF



- FURTHER OPTIONS** (Additional information on page 81)
- Slow motion motor for more precise slat tilting
 - Dual Light Control
 - Head rail end caps in milky white
 - Beaded slat with inserted black seal to reduce contact noise and light leakage
 - Perforated slats
 - Additional guiding cable(s)
 - For possible motor controls see separately available documentation